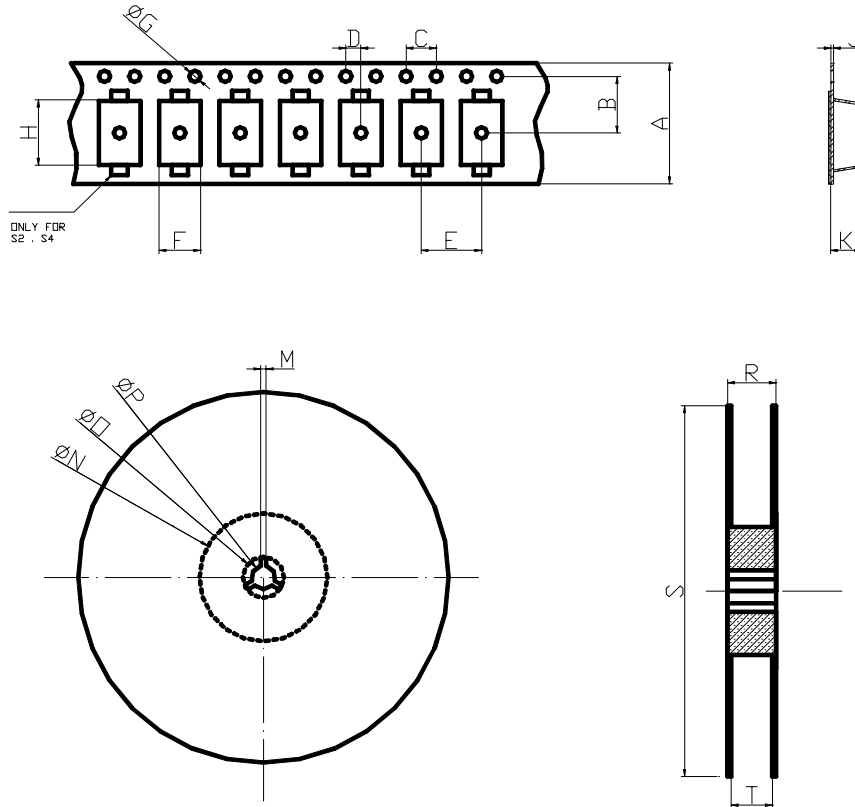


**CRYSTAL & OSCILLATOR TAPE SPECIFICATION**


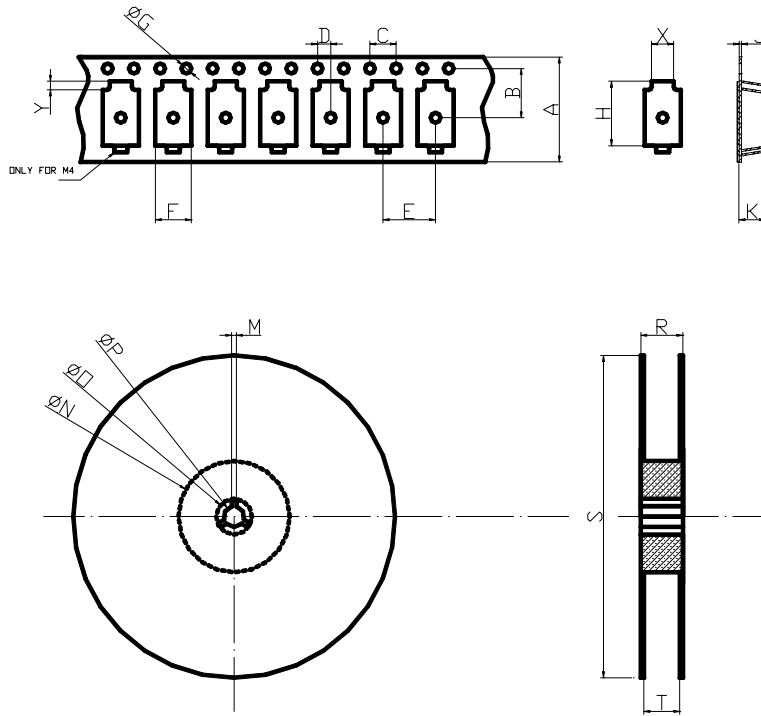
All Dimensions in mm

SERIES	A	B	C	D	E	F	G	H	J
<b>S2</b>	24	11.5	4	2	12	5	1.5	15	0.4
<b>S4</b>	24	11.5	4	2	12	5	1.5	15	0.35
<b>S5 S6</b>	24	11.5	4	2	12	5.4	1.5	13	0.4
<b>M2</b>	24	11.5	4	2	12	8.2	1.5	13	0.4
<b>C1</b>	16	7.5	4	2	8	5.4	1.5	7.4	0.3
<b>C2</b>	16	7.5	4	2	8	3.9	1.5	6.5	0.3
<b>X3 X5 V3 V5</b>	16	7.5	4	2	8	5.4	1.5	7.4	0.3
SERIES	K	M	N	O	P	R	S	T	QTY/REEL
<b>S2</b>	4.35	1.9+/-0.4	100	21	13	30.4	330	24.4	1000
<b>S4</b>	3.5	1.9+/-0.4	100	21	13	30.4	330	24.4	1000
<b>S5 S6</b>	5.5	1.9+/-0.4	100	21	13	30.4	330	24.4	1000
<b>M2</b>	4	1.9+/-0.4	100	21	13	30.4	330	24.4	1000
<b>C1</b>	1.6	2.0+/-0.2	62	21	13	22.4	180	16.4	1000
<b>C2</b>	2	2.0+/-0.2	62	21	13	22.4	180	16.4	1000
<b>X3 X5 V3 V5</b>	1.8	2.0+/-0.2	62	21	13	22.4	180	16.4	1000



# TAPE AND REEL DIMENSIONS

## U2 M4 GULL WING TAPE SPECIFICATION



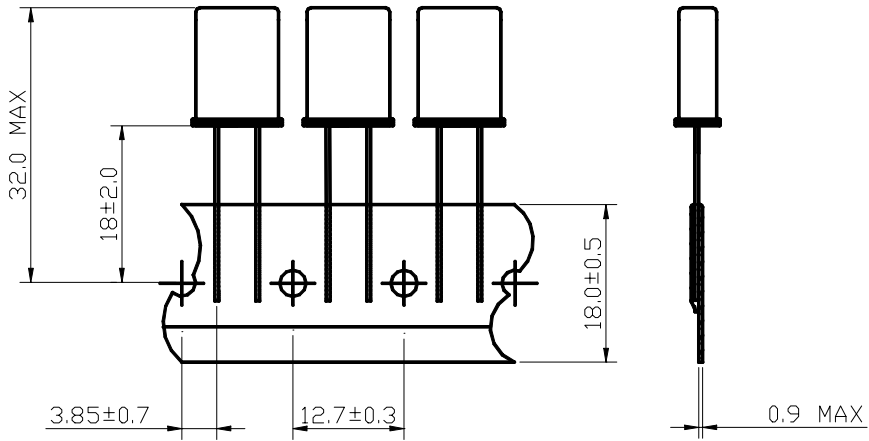
All Dimensions in mm

SERIES	A	B	C	D	E	F	G	H	J	K
U2	24	11.5	4	2	12	11.4	1.5	18.2	.4	5.5
M4	24	11.5	4	2	12	8.5	1.5	10	.4	5.5
SERIES	X	Y	M	N	O	P	R	S	T	QTY/REEL
U2	7.5	3.2	1.9+/- .6	100	21	13	30.4	330	24	1000
M4	4.5	1.2	1.9+/- .6	100	21	13	30.4	330	24	1000

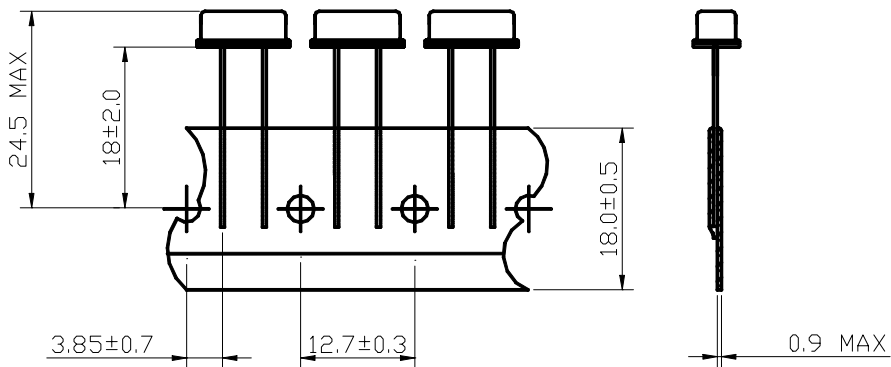


# TAPE AND REEL DIMENSIONS

## U1, U3, M1, M3 TAPE SPECIFICATION



## S1, S3 TAPE SPECIFICATION



## REEL SPECIFICATION

