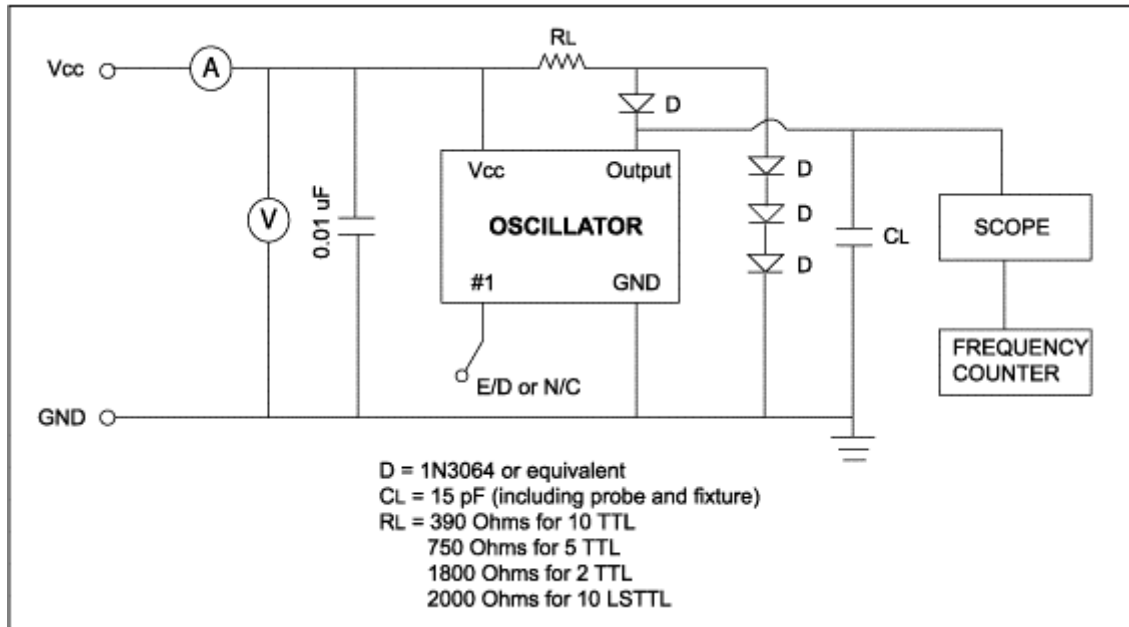


TTL Test Circuit



HCMOS Test Circuit

